



*Built for fast,
efficient and
productive clamp
handling.*

Bring palletless handling to your operation.

APPLICATIONS

Achieve all the benefits of palletless handling of unitized loads in your manufacturing and distribution operation. Cascade's D-Series Carton Clamps allow efficient handling of a wide range of low-, medium- and high-density products including consumer paper products, appliances, consumer electronics, wine, packaged foods (canned or boxed), chemicals and plastics.

FEATURES

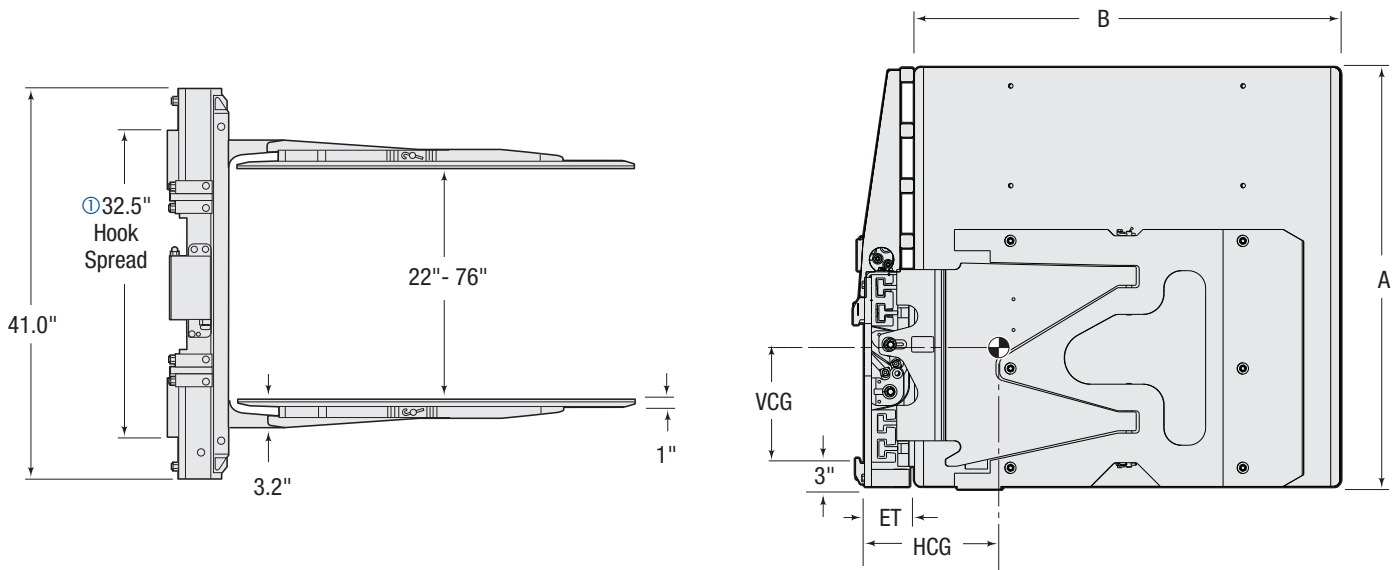
- Proven arm and aluminum frame construction ensures long useful life of the clamp.
- Unique pivoting arm and stabilizer design allows superior clamping force distribution for secure and damage free handling of a wide range of product types.
- Thin arm profiles allow for stacking loads tightly in the warehouse.
- Superior arm-slide bearing material and design extends bearing life and maintains balanced clamp force distribution.
- Rubber faced aluminum contact pads are standard and provide a high coefficient of friction to securely hold loads.
- Regenerative hydraulic valving is standard for optimal arm speed.

OPTIONS

- Application specific contact pads (sizes & surfaces)
- Quick Disconnect mounting
- Custom opening ranges
- Tilt Control
- Load Cushion



15 & 25D CARTON CLAMPS



Sideshifting

Catalog Order No.	Capacity @ Load Center		Opening Range	Mtg. Class	Weight		Effective Thickness	Horizontal Ctr. of Gravity	Vertical Ctr. of Gravity	Arm Height	Arm Length
	lbs @ in.	kg @ mm			lbs	kg					
15D-CCS-01A	1,500 @ 15	680 @ 380	22"-76"	II	1,110	503	5.0"	12.8"	12.9"	48"	30"
15D-CCS-28A	1500 @ 16	680 @ 405	22"-76"	II	1,153	524	5.0"	13.1"	13.0"	48"	32"
15D-CCS-32A	1,500 @ 20	680 @ 510	22"-76"	II	1,325	600	5.0"	14.5"	13.4"	48"	40"
15D-CCS-33A	1,500 @ 21	680 @ 535	22"-76"	II	1,335	604	5.0"	14.5"	13.4"	48"	42"
15D-CCS-34A	1,500 @ 23	680 @ 585	22"-76"	II	1,435	651	5.0"	16.8"	13.5"	48"	46"
15D-CCS-35A	1,500 @ 24	680 @ 600	22"-76"	II	1,455	660	5.0"	16.9"	13.5"	48"	48"
25D-CCS-01A	2,500 @ 15	1,135 @ 380	22"-76"	II	1,110	503	5.0"	12.8"	12.9"	48"	30"
25D-CCS-32A	2,500 @ 20	1,135 @ 510	22"-76"	II	1,325	600	5.0"	14.5"	13.4"	48"	40"
25D-CCS-33A	2,500 @ 21	1,135 @ 535	22"-76"	II	1,335	604	5.0"	14.5"	13.4"	48"	42"
25D-CCS-34A	2,500 @ 23	1,135 @ 585	22"-76"	II	1,435	651	5.0"	16.8"	13.5"	48"	46"
25D-CCS-35A	2,500 @ 24	1,135 @ 600	22"-76"	II	1,455	660	5.0"	16.9"	13.5"	48"	48"

- ① Class III mounting available for 25D. Requires 38" minimum truck carriage width
- ▶ Class II Bolt-On mounting is standard. Quick-Disconnect mounting also available at no charge. .
- ▶ Front lower leading edge pad wear can be addressed by periodic replacement of the factory installed wear tiles. Contact Cascade Parts Department at 888-CASCADE (227-2233) for service kits. Cascade recommends using tilt control with all carton clamps.
- ▶ Can easily be converted to non-sideshifting by plugging ports on the valve.
- ▶ Attachment capacity should be matched to the derated truck capacity with the attachment installed for most efficient application.
- ▶ Additional contact pad sizes, arm opening ranges, and features are available. Consult Cascade.
- ▶ All Carton Clamps are sideshifting.

MOUNTING CLASS INFORMATION

Mounting Class	Truck Capacity
II	2,000-5,500 lbs.
III	6,000-10,000 lbs

HYDRAULIC FUNCTIONS

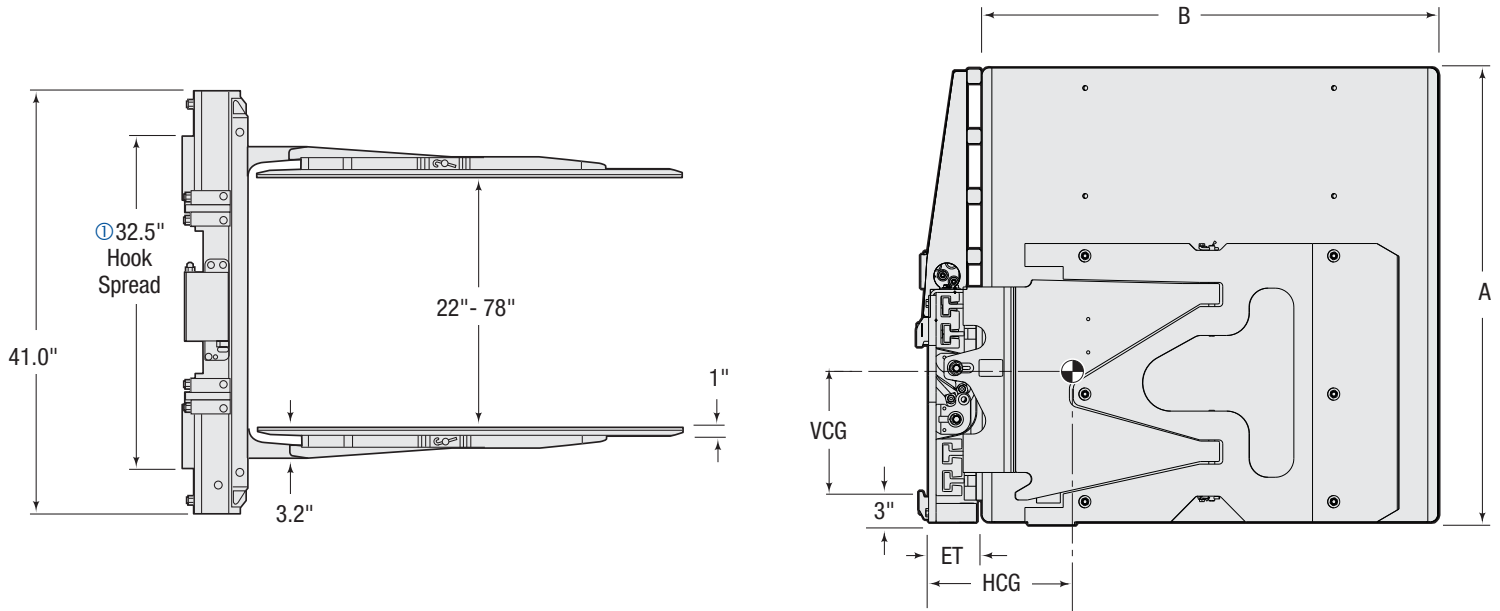
Model	Hydraulic Functions	Truck Auxiliary Valves Required
15D/25D	2	2

HYDRAULIC FLOW & PRESSURE

Model	Maximum Pressure psi/bar	Number of Functions	Min-Rec-Max Function 1 (sideshift) gpm	Min-Rec-Max Function 2 (clamp) gpm
15D	2,300/159	2	1-2.5-8	5-5.5-8
25D	2,300/159	2	1-3.0-8	5-5.5-8

INSTALLATION KIT

Model	Catalog Order No.
15D/25D	659249



Sideshifting

Catalog Order No.	Capacity @ Load Center		Opening Range	Mtg. Class	Weight		Effective Thickness ET	Horizontal Ctr. of Gravity HCG	Vertical Ctr. of Gravity VCG	Arm Height A	Arm Length B
	lbs @ in.	kg @ mm			lbs	kg					
35D-CCS-32A	3,500 @ 20	1,590 @ 510	22"-78"	II	1,400	635	5.0"	16.0"	14.2"	48"	40"
35D-CCS-33A	3,500 @ 21	1,590 @ 535	22"-78"	II	1,410	640	5.0"	16.3"	14.2"	48"	42"
35D-CCS-34A	3,500 @ 23	1,590 @ 585	22"-78"	II	1,530	694	5.0"	18.5"	14.3"	48"	46"
35D-CCS-35A	3,500 @ 24	1,590 @ 600	22"-78"	II	1,540	699	5.0"	18.8"	14.3"	48"	48"
35D-CCS-36A	3,300 @ 26	1,500 @ 660	22"-78"	II	1,650	748	5.0"	21.0"	14.4"	48"	52"
35D-CCS-37A	3,200 @ 27	1,455 @ 685	22"-78"	II	1,660	753	5.0"	21.3"	14.4"	48"	54"
35D-CCS-42A	3,500 @ 20	1,590 @ 510	22"-78"	II	1,440	653	5.0"	16.1"	15.2"	54"	40"
35D-CCS-43A	3,500 @ 21	1,590 @ 535	22"-78"	II	1,450	658	5.0"	16.4"	15.2"	54"	42"
35D-CCS-44A	3,500 @ 23	1,590 @ 585	22"-78"	II	1,580	717	5.0"	18.6"	15.3"	54"	46"
35D-CCS-45A	3,500 @ 24	1,590 @ 600	22"-78"	II	1,590	721	5.0"	18.9"	15.3"	54"	48"
35D-CCS-46A	3,300 @ 26	1,500 @ 660	22"-78"	II	1,700	771	5.0"	21.1"	15.4"	54"	52"
35D-CCS-47A	3,200 @ 27	1,455 @ 685	22"-78"	II	1,710	776	5.0"	21.4"	15.4"	54"	54"
35D-CCS-92A	3,500 @ 20	1,590 @ 510	22"-78"	II	1,480	671	5.0"	16.2"	16.3"	60"	40"
35D-CCS-93A	3,500 @ 21	1,590 @ 535	22"-78"	II	1,490	676	5.0"	16.5"	16.3"	60"	42"
35D-CCS-94A	3,500 @ 23	1,590 @ 585	22"-78"	II	1,620	735	5.0"	18.7"	16.4"	60"	46"
35D-CCS-95A	3,500 @ 24	1,590 @ 600	22"-78"	II	1,630	739	5.0"	19.0"	16.4"	60"	48"
35D-CCS-96A	3,300 @ 26	1,500 @ 660	22"-78"	II	1,740	789	5.0"	21.2"	16.5"	60"	52"
35D-CCS-97A	3,200 @ 27	1,455 @ 685	22"-78"	II	1,750	794	5.0"	21.5"	16.5"	60"	54"

① Class II Bolt-On mounting is standard. Class III and Quick-Disconnect mounting also available at no charge. Class III requires 38" minimum truck carriage width.

- ▶ Front lower leading edge pad wear can be addressed by periodic replacement of the factory installed wear tiles. Contact Cascade Parts Department at 888-CASCADE (227-2233) for service kits. Cascade recommends using tilt control with all carton clamps.
- ▶ Can easily be converted to non-sideshifting by plugging ports on the valve.

HYDRAULIC FLOW & PRESSURE

Model	Maximum Pressure psi/bar	Number of Functions	Min-Rec-Max Function 1 (sideshift) gpm	Min-Rec-Max Function 2 (clamp) gpm
35D	2,300/159	2	1-4.0 10	5-7.0-10

INSTALLATION KIT

Model	Catalog Order No.
35D	659249

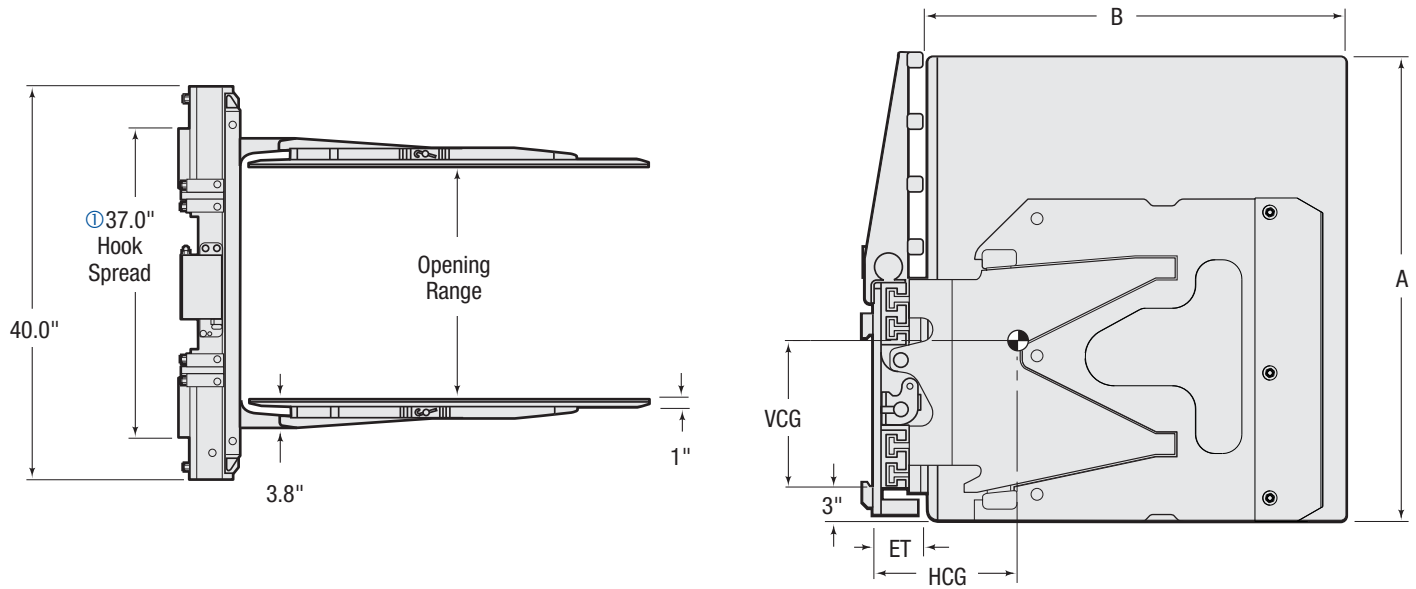
MOUNTING CLASS INFORMATION

Mounting Class	Truck Capacity
II	2,000-5,500 lbs.
III	6,000-10,000 lbs

HYDRAULIC FUNCTIONS

Model	Hydraulic Functions	Truck Auxiliary Valves Required
35D	2	2

50D CARTON CLAMP



Sideshifting

Catalog Order No.	Capacity @ Load Center		Opening Range	Mtg. Class	Weight		Effective Thickness ET	Horizontal Ctr. of Gravity HCG	Vertical Ctr. of Gravity VCG	Arm Height A	Arm Length B
	lbs @ in.	kg @ mm			lbs	kg					
50D-CCS-21B	5,000 @ 20	2,270 @ 510	21"-73"	III	1,980	899	6.0"	19.1"	17.8"	60"	40"
50D-CCS-22B	5,000 @ 21	2,270 @ 535	21"-73"	III	1,995	906	6.0"	19.2"	17.8"	60"	42"
50D-CCS-23B	5,000 @ 22	2,270 @ 560	21"-73"	III	2,005	910	6.0"	19.3"	17.8"	60"	44"
50D-CCS-24B	5,000 @ 23	2,270 @ 585	21"-73"	III	2,095	951	6.0"	20.2"	16.8"	60"	46"
50D-CCS-25B	5,000 @ 24	2,270 @ 600	21"-73"	III	2,110	958	6.0"	20.3"	16.9"	60"	48"

- ① Class II Bolt-On mounting is standard. Class III and Quick-Disconnect mounting also available at no charge. Class III requires 38" minimum truck carriage width.
- ▶ Front lower leading edge pad wear can be addressed by periodic replacement of the factory installed wear tiles. Contact Cascade Parts Department at 888-CASCADE (227-2233) for service kits. Cascade recommends using tilt control with all carton clamps.
- ▶ Can easily be converted to non-sideshifting by plugging ports on the valve.

INSTALLATION KIT

Model	Catalog Order No.
50D	659249

MOUNTING CLASS INFORMATION

Mounting Class	Truck Capacity
III	6,000-10,000 lbs
IV	10,001-17,500 lbs.

HYDRAULIC FUNCTIONS

Model	Hydraulic Functions	Truck Auxiliary Valves Required
50D	2	2

HYDRAULIC FLOW & PRESSURE

Model	Maximum Pressure psi/bar	Number of Functions	Min-Rec-Max Function	
			Function 1 (sideshift) gpm	Function 2 (clamp) gpm
50D	2,300/159	2	1-6.0 15	5-12-15

Cascade Corporation • PO Box 20187 • Portland, OR 97294-0187 • USA • 800 CASCADE (227.2233) • Tel 503.669.6257 • Fax 800.693.3768 • Fax 503.669.6367
 Cascade Canada Ltd. • 5570 Timberlea Blvd. • Mississauga, Ontario L4W 4M6 • Canada • 800.380.2272 • Tel 905.629.7777 • Fax 905.629.7785